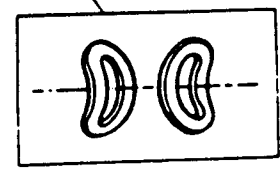
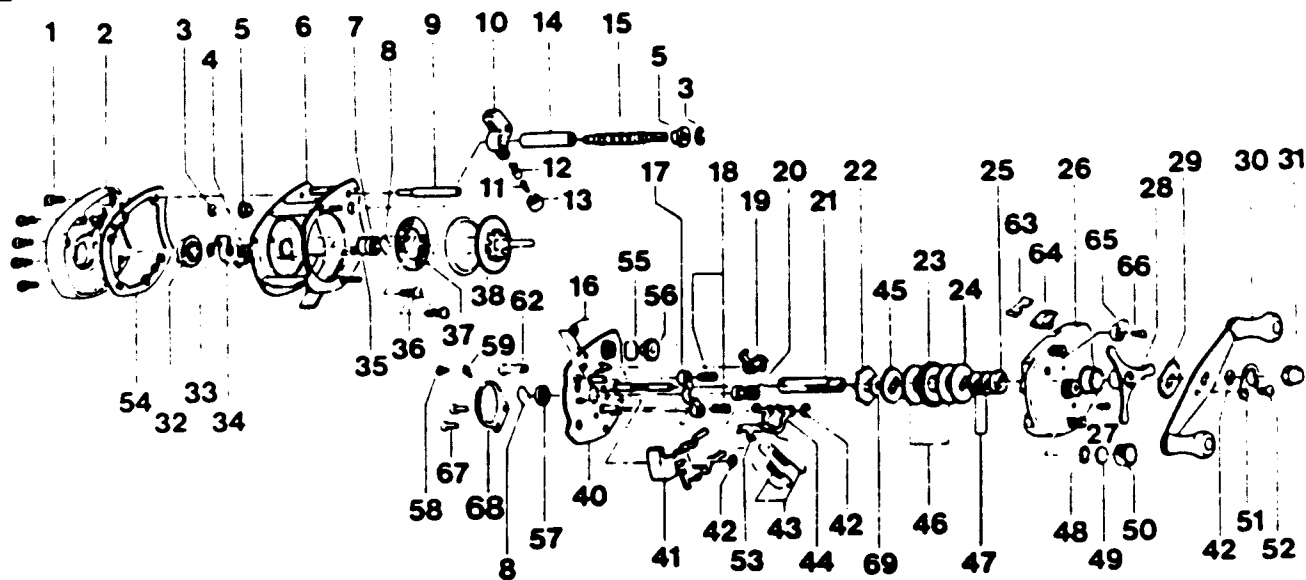


QUANTUM 1420MG



Key No.	Part No.	Description	Price	Key No.	Part No.	Description	Price
1	LX 4102	Left Side Plate Screw	.99	37	CX 4257	Magnet Retainer	8.59
2	NX 4101	Left Side Plate	7.99	38	FX 4251	Spool	14.72
3	CX 4152	Worm Shaft Retainer	.31	39	FX 4260	U Spool Converter	4.31
4	CX 4301	Magnet Retainer Spring	.36	40	CX 4351-1	Set Plate (incl. 16, 40, 41, 42(2), 43(2), 44, 53)	18.11
5	CX 4156	Worm Guard Bushing	.62	41	NX 4402	Spool Release Button	2.64
6	FX 4051-1	Frame	24.57	42	CX 4656	Retainer Clip	.36
7	CX 4252	Spool Shaft Bearing	7.99	43	FX 4353	Set Plate Actuator Spring	.91
8	CX 4253	Bearing Retainer	.36	44	CX 4503-1	Set Plate Actuator B	1.23
9	EX 4159	Frame Post	1.53	45	CX 4658-2	Anti-Reverse Ratchet	6.89
10	NX 4201	Line Guide	7.55	46	CX 4661-1	Drag Washer A	.36
11	CX 4203	Line Guide Pawl Spring	.36	47	CX 4662	Drive Shaft Spring Washer	.36
12	CX 4202	Line Guide Pawl	2.21	48	CX 4258	O Ring	.36
13	CX 4204	Pawl Cap	.91	49	CX 4302	Spool Tension Shim B	.36
14	EX 4158	Worm Shaft Guard	2.46	50	NX 4259	Spool Tension Knob	2.40
15	FX 4151	Worm Shaft	5.83	51	LX 4703	Handle Nut Lock	1.23
16	CX 4502	Spool Release Spring	.36	52	LX 4704	Handle Nut Lock Screw	.49
17	CX 4401	Pinion Yoke	.62	53	CX 4501-1	Set Plate Actuator A	1.23
18	CX 4403	Pinion Yoke Spring	.36	54	NX 4107	Left Side Plate Spacer	1.84
19	CX 4452-1	Anti-Reverse Pawl	3.38	55	CX 4153	Gear Retaining Clip	.31
20	NX 4256	Pinion Gear	9.21	56	NX 4150	Worm Shaft Gear	4.31
21	CX 4652	Drive Shaft	3.69	57	CX 4252	Spool Shaft Bearing	7.99
22	CX 4451-1	Release Ratchet	1.23	58	FX 4552	Click Pawl Screw	1.23
23	NX 4651	Drive Gear	6.14	59	FX 4551-1	Click Pawl	1.41
24	CX 4659	Drag Washer B	.62	62	FX 4557-1	Click Cam	1.46
25	CX 4254	Drive Shaft Bushing	.62	63	FX 4455	Anti-Reverse Lever Plate	.91
26	FX 4103-1	Right Side Plate	12.59	64	FX 4456-1	Anti-Reverse Lever	.91
27	CX 4352	Right Side Cover Screw	.36	65	FX 4558-1	Bait Click Lever	1.46
28	NX 4663	Star Drag	5.21	66	FX 4559-1	Bait Click Lever Screw	.62
29	CX 4660	Handle Washer	.36	67	FX 4561	Click Spring Screw	1.23
30	NX 4701	Handle	6.14	68	FX 4560	Click Spring	.88
31	LX 4702	Handle Nut	1.53	69	CX 4450	Anti-Reverse Ratchet, Washer	.36
32	CX 4303	Magnetic Control Dial	.99				
33	CX 4250	O Ring	.49				
34	CX 4261	Magnet Retainer Support	1.46	Not Shown:			
35	CX 4255	Spool Tension Shim A	.36	T130	Wrench		2.59
36	CX 4602	Magnet Retainer Screw	.62	CX 4000-1	Spare Parts Kit w/Wrench (incl. 1, 8, 27, 35, 49, 52)		3.69

Prices subject to change without notice. Prices do not include postage and handling.

PLEASE ORDER BY PART NUMBER

Rev. 5/93 Zebco Division Brunswick Corporation, Box 270, Tulsa, OK 74101 USA 918-836-5581

